



UDUPI COCHIN SHIPYARD LIMITED

UDUPI COCHIN SHIPYARD LIMITED

Ministry of Ports, Shipping and Waterways,
Government of India

CONTRACT CELL DEPARTMENT

CORRIGENDUM - I

Tender No.: UCSSL/CC/SB/T/175-182/247/2026

Date: 02-06-2026

Dear Sir,

CORRIGENDUM-I- TENDER FOR CABLE TRUNK HATCH COVER PLATE AND FRAMES DRILLING AND TAPPING FOR UY.175-182

The following term of the subject tender is amended as follows:

1. The Drawings is included in above Subject Tender and is enclosed as Annexure -VI
2. All the other terms and conditions of the tender enquiry remains unchanged.

For Udupi Cochin Shipyard Limited,

अखिल आर पी

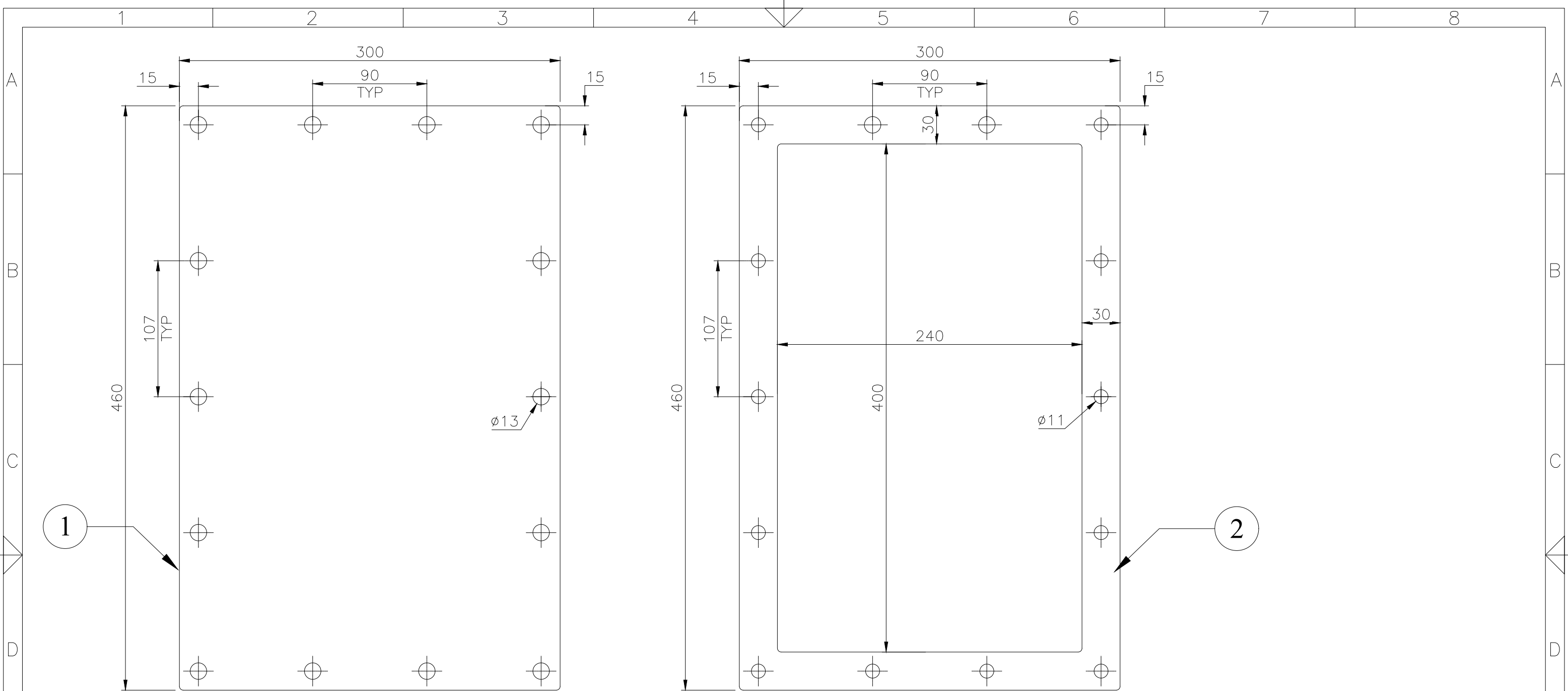
AKHIL R P

प्रबंधक MANAGER

उडुपि कोचीन शिपयार्ड लिमिटेड

UDUPI COCHIN SHIPYARD LIMITED
माल्पे, कर्नाटक/MALPE, KARNATAKA-576 108

Assistant General Manager (Contract Cell)



CABLE TRUNK
10mm Plate

Note:

1. Execute 31 times.
2. Bill of material is combined quantity(31x) per vessel.
3. Material type DH36.

BILL OF MATERIAL - CABLE TRUNK				
Item No.	Description	Dimension (mm)	Qty.	Weight (kg)
1	10mm Plate	460x300	31	335.8
2	10mm Plate	460x300	31	102.2
			Total weight (Kg)	438
3	SS BOLT	M12x25	434	



UDUPI COCHIN SHIPYARD LTD.
Corporate Office: Malpe Harbour Complex, Malpe, Udupi-576 108, Karnataka, India.
Phone:+91 820 2508 100, Fax:+91 820 2508 105, email : info.tsl@udupicsl.com
website: www.udupicsl.com

CLIENT
WILSON ASA, NORWAY

DESIGNER
UDUPI COCHIN SHIPYARD LTD.

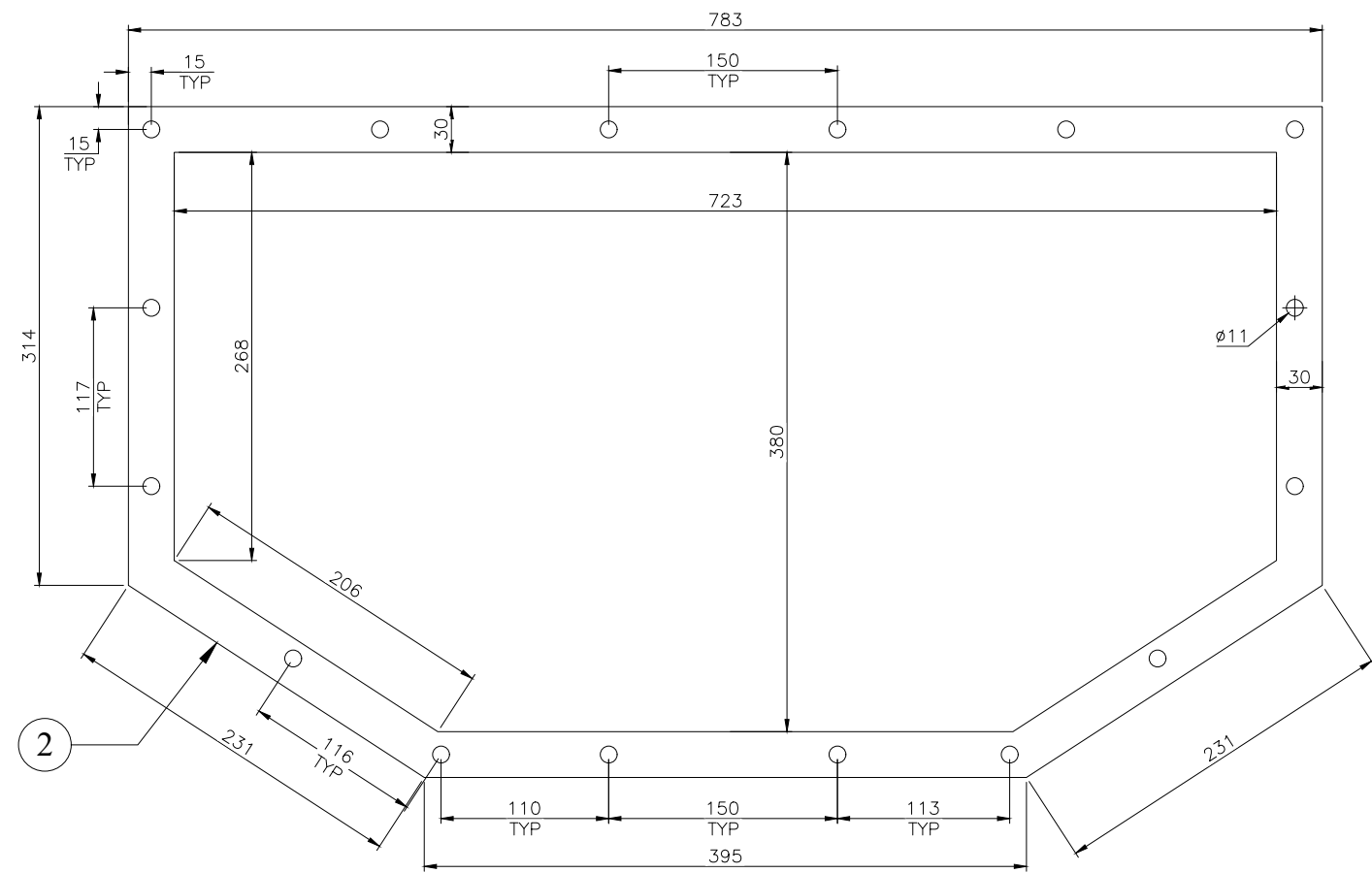
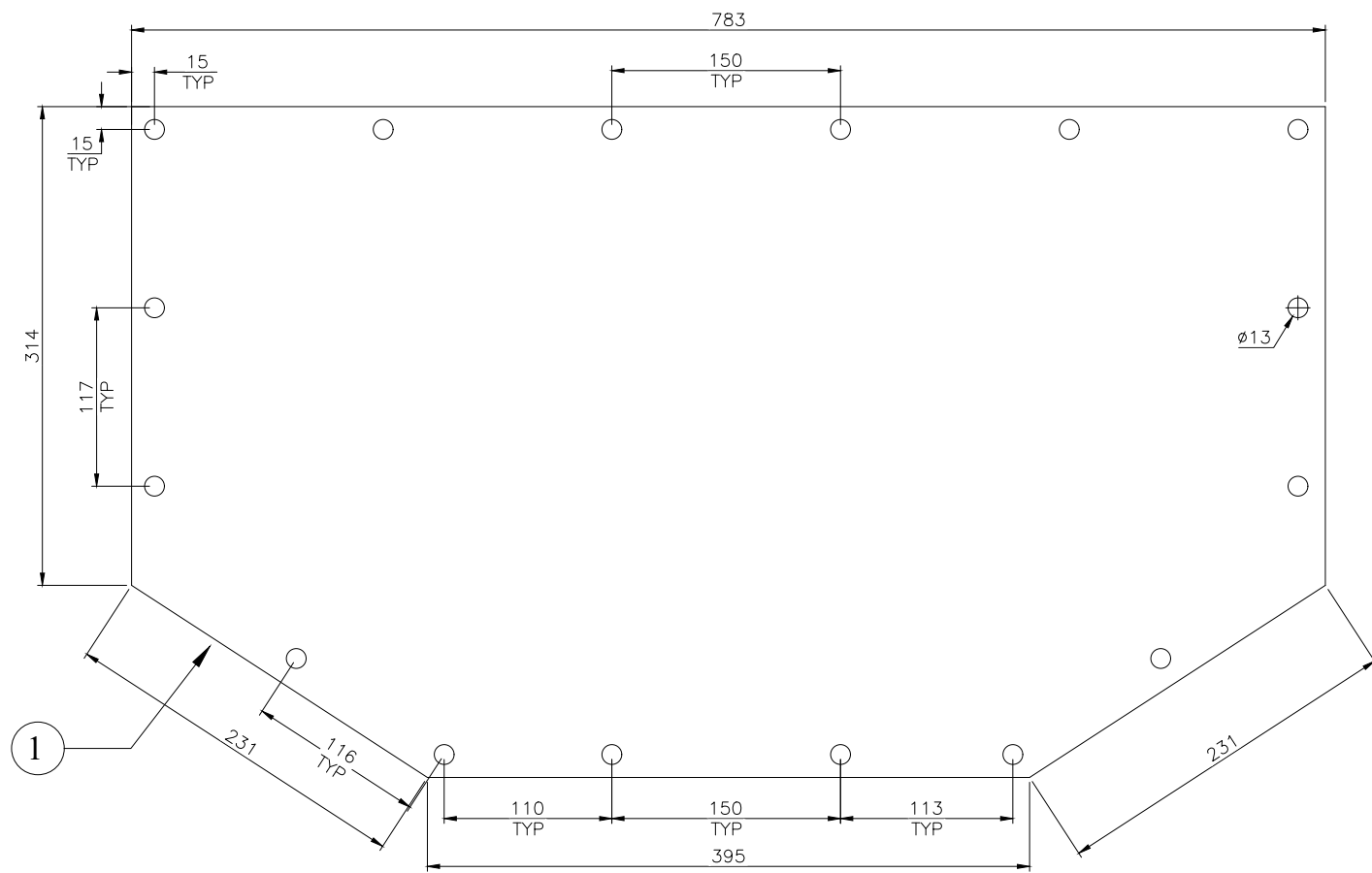
DRAWING NO.
175 - MIS - 037

All Dimensions are in mm

0	11/06/2026	INITIAL ISSUE	CS	SK	SP
REV	DATE	DESCRIPTION	PREPARED	CHECKED	APPROVED
TITLE MOUNTING HATCH CABLE TRUNK COVER NESTING DETAILS					
SCALE	FORMAT	PROJECT	FILE Gr.No.	REVISION	PAGE No.
1:3	A3	UY 175-182	MIS	0	01 OF 01

THIS DRAWING/SPECIFICATION IS THE PROPERTY OF UDUPI COCHIN SHIPYARD LTD, AND MUST NOT BE COPIED OR THE CONTENTS THERE OF OR ANY INFORMATION RECEIVED IN CONJUNCTION THERE WITH MUST NOT BE IMPORTED TO ANY UNAUTHORIZED THIRD PARTY. THE RECEIPT OF THE DRAWING/SPECIFICATION IMPLIES THAT THE CONDITIONS MENTIONED HERE IN ARE ACCEPTED.

Annexure-VI



HOLD LIGHTING COVER PLATE

8mm Plate

Note:

1. Execute 8 times.
2. Bill of material is combined quantity(8x) per vessel.
3. Material type GR-A.

BILL OF MATERIAL - HOLD LIGHT

Item No.	Description	Dimension (mm)	Qty.	Weight (kg)
1	8mm Plate	783x440	8	173
2	8mm Plate	783x440	8	35
Total weight (Kg)				208
3	SS BOLT	M12x25	128	



UDUPI COCHIN SHIPYARD LTD.

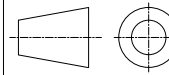
Corporate Office: Malpe Harbour Complex, Malpe, Udupi-576 108, Karnataka, India.
 Phone:+91 820 2508 100, Fax:+91 820 2508 105, email : info.tsl@udupicsl.com
 website: www.udupicsl.com

CLIENT
 WILSON ASA, NORWAY

DESIGNER
 UDUPI COCHIN SHIPYARD LTD.

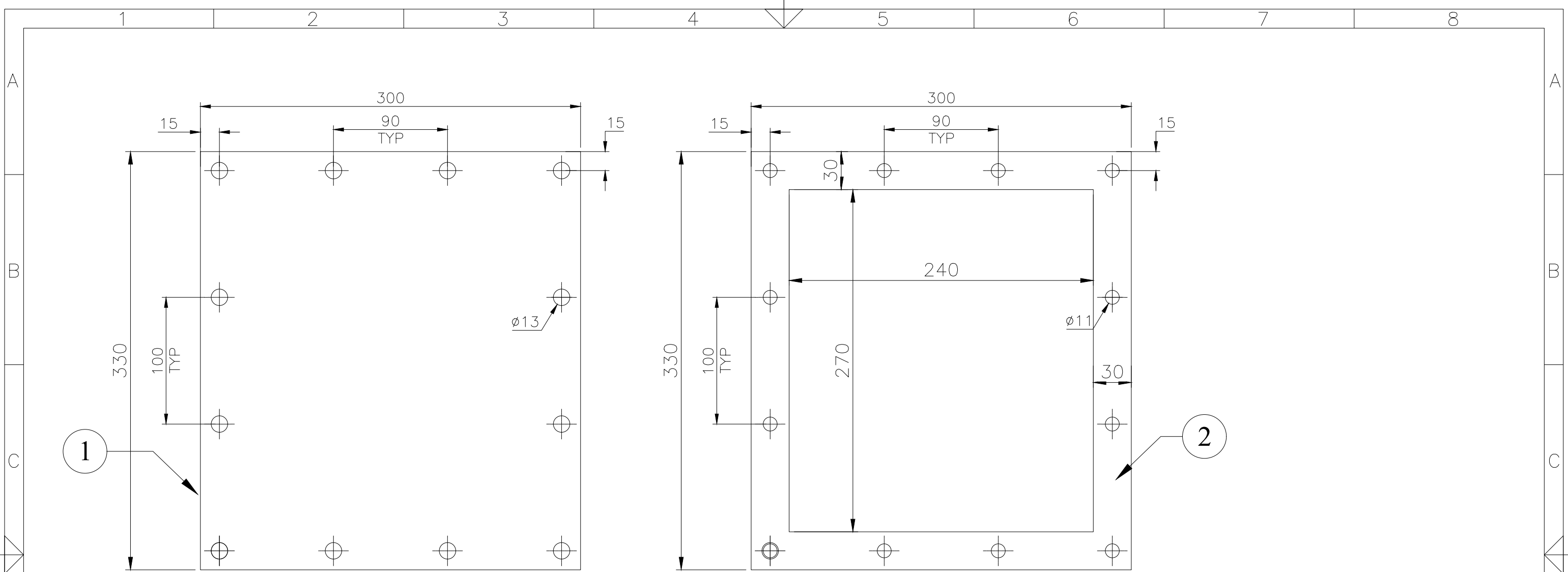
DRAWING NO.
 175 - MIS - 038

All Dimensions are in mm



0	11/06/2026	INITIAL ISSUE	CS	SK	SP
REV	DATE	DESCRIPTION	PREPARED	CHECKED	APPROVED
TITLE HOLD LIGHT COVER PLATE - NESTING DETAILS					
SCALE	FORMAT	PROJECT	FILE Gr.No.	REVISION	PAGE No.
1:3	A3	UY 175-182	MIS	0	01 OF 01

THIS DRAWING/SPECIFICATION IS THE PROPERTY OF UDUPI COCHIN SHIPYARD LTD. AND MUST NOT BE COPIED OR THE CONTENTS THERE OF OR ANY INFORMATION RECEIVED IN CONJUNCTION THERE WITH MUST NOT BE IMPORTED TO ANY UNAUTHORIZED THIRD PARTY. THE RECEIPT OF THE DRAWING/SPECIFICATION IMPLIES THAT THE CONDITIONS MENTIONED HERE IN ARE ACCEPTED.



WHEELHOUSE SIDE LIGHT

8mm Plate

Note:

1. Execute 2 times.
2. Bill of material is combined quantity(2x) per vessel.
3. Material type GR-A.

BILL OF MATERIAL - WH SIDE LIGHT				
Item No.	Description	Dimension (mm)	Qty.	Weight (kg)
1	8mm Plate	330x300	2	12.4
2	8mm Plate	330x300	2	4.2
			Total weight (Kg)	16.6
3	SS BOLT	M12x25	24	



UDUPI COCHIN SHIPYARD LTD.

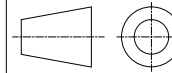
Corporate Office: Malpe Harbour Complex, Malpe, Udupi-576 108, Karnataka, India.
 Phone:+91 820 2508 100, Fax:+91 820 2508 105, email : info.tsl@udupicsl.com
 website: www.udupicsl.com

CLIENT
WILSON ASA, NORWAY

DESIGNER
UDUPI COCHIN SHIPYARD LTD.

DRAWING NO.
175 - MIS - 039

All Dimensions are in mm



REV	DATE	DESCRIPTION	PREPARED	CHECKED	APPROVED
0	11/06/2026	INITIAL ISSUE	CS	SK	SP
WH SIDE LIGHT COVER PLATE NESTING DETAILS					
SCALE	FORMAT	PROJECT	FILE Gr.No.	REVISION	PAGE No.
1:3	A3	UY 175-182	MIS	0	01 OF 01

THIS DRAWING/SPECIFICATION IS THE PROPERTY OF UDUPI COCHIN SHIPYARD LTD. AND MUST NOT BE COPIED OR THE CONTENTS THERE OF OR ANY INFORMATION RECEIVED IN CONJUNCTION THERE WITH MUST NOT BE IMPORTED TO ANY UNAUTHORIZED THIRD PARTY. THE RECEIPT OF THE DRAWING/SPECIFICATION IMPLIES THAT THE CONDITIONS MENTIONED HERE IN ARE ACCEPTED.